

LEXTON SPECIFICATIONS

LV LV Series EXHAUST FAN
 LV50 | LV70

Description

Ventilating fan shall be a quiet ceiling mount type. Fan shall be tested as per the Home Ventilating Institute (HVI) standards. Evaluated by ETL and conform to both UL and CSA safety standards.

Motor/Blower

Open style frame, removable and permanently lubricated motor.

Housing

Rust proof galvanized steel body. Detachable 3" diameter duct adapter. Built in quiet backdraft damper. Mounting ears for quick easy installation with keyhole slots.



Grille

Attractive design using ABS material. Attaches directly to housing with torsion springs

Typical Specifications

Ventilating fan shall be of the ceiling mount with no less than 50 and 70 CFM and no more than 1.5 and 3.0 sones respectively, as per Home Ventilating Institute (HVI) standards at 0.1" static pressure in inches water gauge. The motor shall be open style, frame and permanently lubricated. Power rating shall be 120v/60Hz. Duct diameter shall be no less than 3".

MODEL	QUANTITY	COMMENTS	PROJECT
			location:
			architect:
			engineer:
			contractor:
			submitted by:

CERTIFICATIONS



Lexton Industries, Inc.

321 W. 135th St.
 Los Angeles, CA 90061

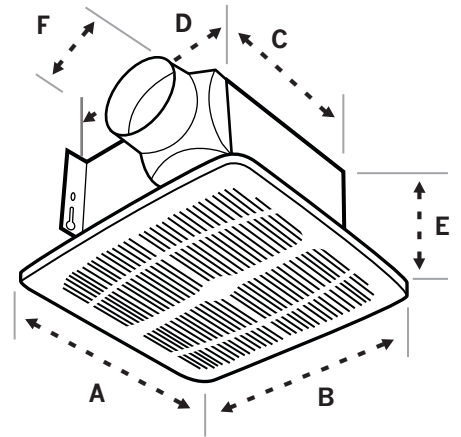
Mailing Address:
 664-A Freeman Lane PMB # 308
 Grass Valley, CA 95949

phone 323 284 2188 / toll free fax 1 866 281 8605

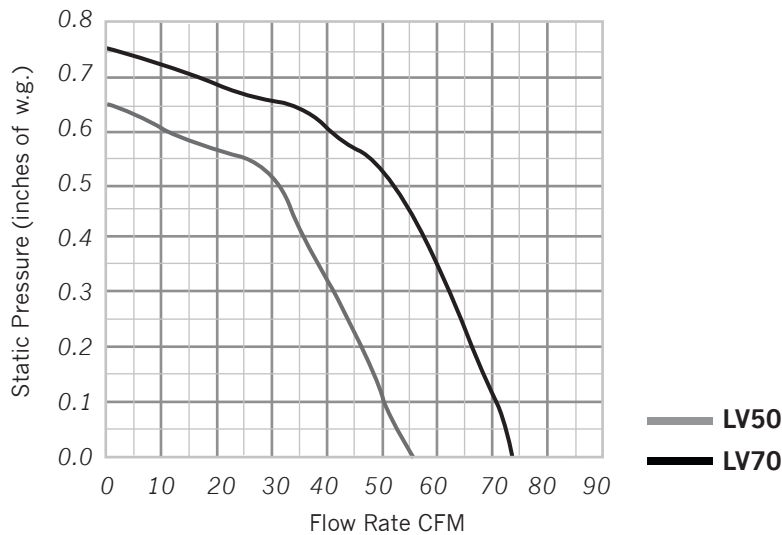
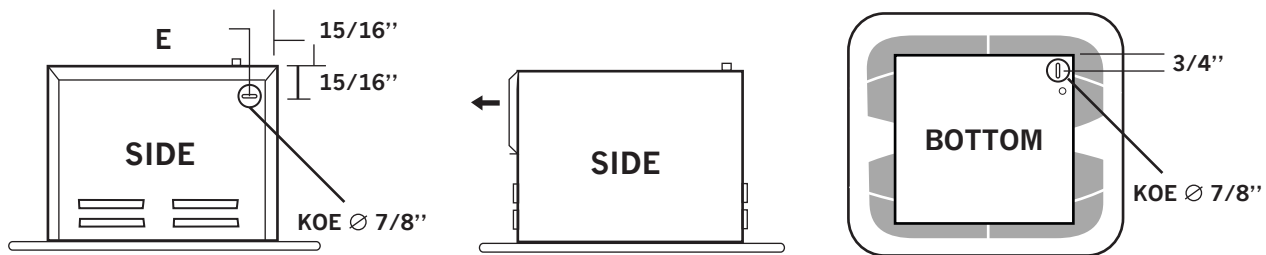


LEXTON SPECIFICATIONS

LV LV Series EXHAUST FAN LV50 | LV70



MODEL	GRILLE A x B	HOUSING C x D x E	DUCT F
LV50	10" x 10"	6 1/2" x 6 3/4" x 5"	3"
LV70	10" x 10"	6 1/2" x 6 3/4" x 5"	3"



MODEL	Air Flow CFM @ 0.1" w.g.	Air Flow CFM @ 0.25" w.g.	Sones @ 0.1" w.g.	Power (Watts)	Electrical Rating	Room Size Capacity
LV50	50	42	1.5	42.0	120V/60Hz	50 sq.ft.
LV70	70	64	3.0	56.6	120V/60Hz	70 sq.ft.

CERTIFICATIONS



Lexton Industries, Inc.

321 W. 135th St.
Los Angeles, CA 90061

Mailing Address:
664-A Freeman Lane PMB # 308
Grass Valley, CA 95949
phone 323 284 2188 / toll free fax 1 866 281 8605

