

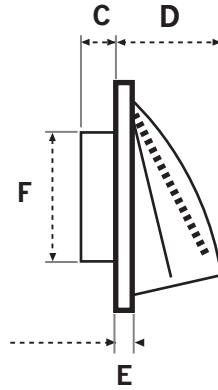
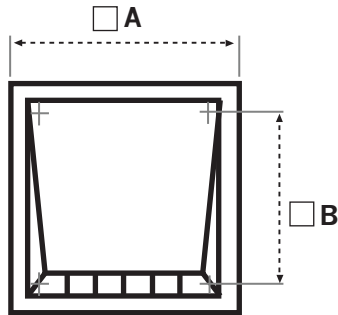
# LEXTON SPECIFICATIONS

## MV1 MV1 Series EURO PLASTIC WALL CAP

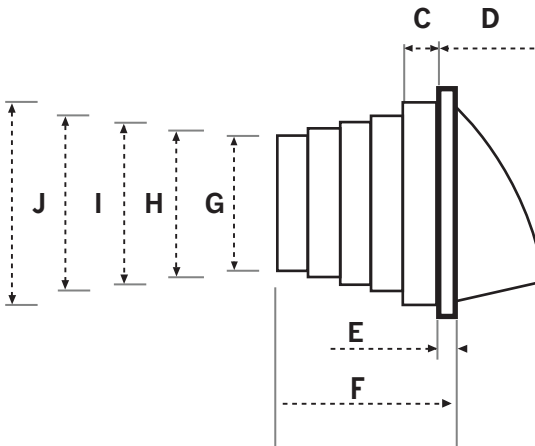
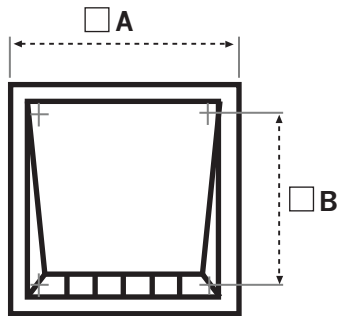
MV102VK | MV122VNK



MV102VK



MV122VNK



MODEL	A	B	C	D	E	F	G	H	I	J	K
MV102VK	6 1/16"	4 5/16"	1 3/16"	3 3/8"	5/8"	3 7/8"	-	-	-	-	-
MV122VNK	7 3/8"	5 9/16"	13/16"	4"	9/16"	4 1/2"	3 15/16"	4 5/16"	4 3/4"	5 1/8"	5 7/8"

MODEL	QUANTITY	COMMENTS	PROJECT
			location:
			architect:
			engineer:
			contractor:
			submitted by:

### Lexton Industries, Inc.

321 W. 135th St.  
Los Angeles, CA 90061

**Mailing Address:**  
664-A Freeman Lane PMB # 308  
Grass Valley, CA 95949  
phone 323 284 2188 / toll free fax 1 866 281 8605

