

# Specification Data

## FIRESHIELD FIRE RADIATION DAMPER



### Description

This fire radiation damper shall be assembled with AIRZONE fans. Damper shall be UL & cUL listed ceiling/floor (L550, L562, L574 & L579) & ceiling/roof (P531, P538, & P545) wood truss construction.

# MODEL# 0750HM



### Features:

- . Meets NFPA 90 REQUIREMENTS.
- . Meets BOCA, SBCCA and UBC requirements.
- . Galvanized steel frame.
- . High temperature, non-asbestos, reinforced fiber thermal fabric
- . 165 degree Fahrenheit fusible link.

### UL Listed Assembly for AIRZONE models:

- . PA500V, PA700V, PA900V & PA1100V (FAN ONLY)
  - . PA500VLE, PA700VLE, PA900VLE & PA1100VLE (FAN/LIGHT)
- See Specification for fan performance details

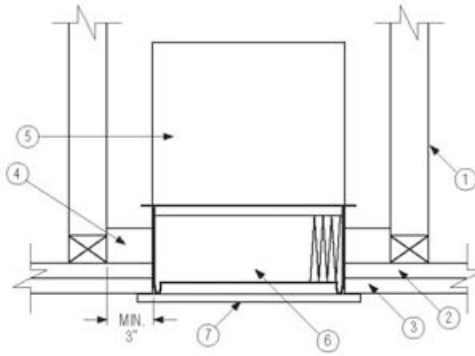
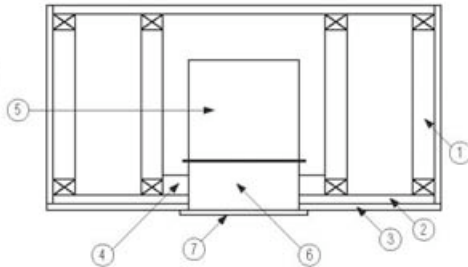


Housing dimensions with FIRESHIELD FIRE RADIATION DAMPER INCLUDED :  
 9 1/16" x 9 1/16" x 10 3/4"  
 (h) NOTE: FIRESHIELD

V Grille (FAN ONLY) Dimension: 12 1/16" x 12 1/16"

VLE Grille (FAN/LIGHT) Dimension: 12 3/4" x 12 3/4"

- 1) WOOD TRUSS
- 2) RESILIENT CHANNEL
- 3) GYPSUM WALLBOARD
- 4) SUPPORT CHANNEL
- 5) AIRZONE FAN
- 6) 0750HM RADIATION DAMPER
- 7) GRILLE



DETAIL



Model	Quantity	Comments	Project:
			Location:
			Architect:
			Engineer:
			Contractor:
			Submitted by:



Lexton Industries, Inc.,  
 5681 S. Downey Road,  
 Vernon, CA 90058  
 Phone: 323-284-2188  
 Toll Free Fax: 866-281-8605