



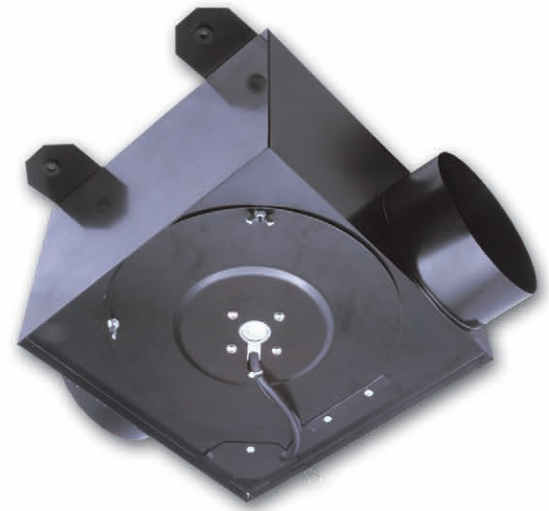
SPECIFICATIONS

XLERATOR Series Dryer Booster Fan

MODEL#: XDF200 & XDF300

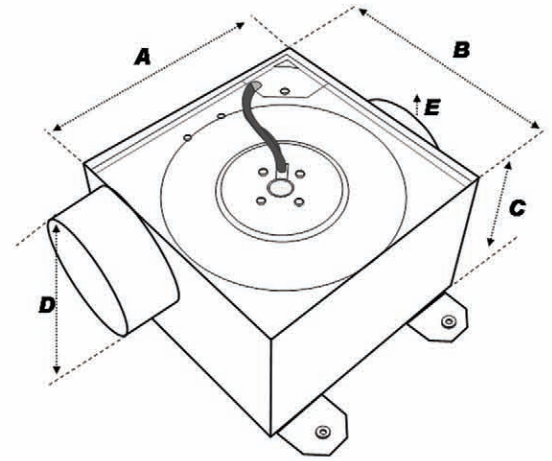
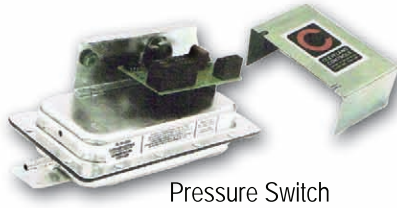
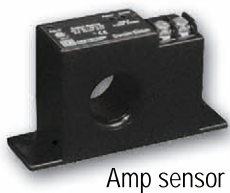
Features:

- * European designed external rotor technology, energy efficient with capacitor start.



More Features:

- * Superior Air Performance
- * Typically used in multi-level high static pressure applications.
- * Easy access for service and cleaning through hinged motor platform.
- * Standard Rubber grommets (noise isolators on mounting brackets)
- * Control systems sold separately (amp sensor, pressure switch or SIS3000 on page 26)



AIR PERFORMANCE (CFM)

| Model | Static pressure (inches of wg) | | | | | | | | | | | | | | | | |
|---------------|--------------------------------|------|------|------|------|------|------|------|------|------|------|------|------|------|------|------|--|
| | 0 | 0.1" | 0.2" | 0.25 | 0.3" | 0.4" | 0.5" | 0.6" | 0.7" | 0.8" | 0.9" | 1.0" | 1.5" | 2.0" | 2.5" | 3.0" | |
| XDF200 | 205 | 200 | 200 | 192 | 190 | 183 | 175 | 167 | 160 | 153 | 145 | 137 | 98 | 50 | | | |
| XDF300 | 316 | 308 | 300 | 298 | 290 | 316 | 268 | 258 | 250 | 242 | 235 | 227 | 175 | 120 | 70 | 25 | |

| Model | RPM (nominal) | Current (amp) | Power (watt) | Electrical rating | Housing (AxBxC) | Intake (D) | Discharge (E) |
|---------------|---------------|---------------|--------------|-------------------|--------------------|------------|---------------|
| XDF200 | 2550 | 0.95 | 109 | 120V/60Hz | 10-1/2" x 11" x 6" | 5" | 5" |
| XDF300 | 2600 | 1.4 | 159 | 120V/60Hz | 12" x 12" x 8" | 6" | 6" |

| MODEL | QUANTITY | COMMENTS | PROJECT |
|-------|----------|----------|---------------|
| | | | Location: |
| | | | Architect: |
| | | | Engineer: |
| | | | Contractor: |
| | | | Submitted by: |



LEXTON FANS, INC.

5681 SOUTH DOWNEY ROAD
VERNON, CA 90058 USA

Phone: 323-284-2188

Toll Free Fax: 1-866-281-8605

www.lextonfans.com

Certifications:



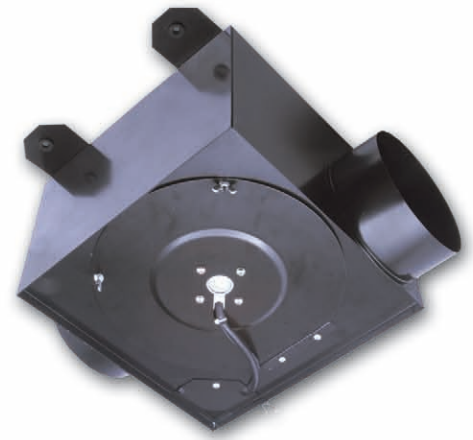


XLERATOR Series /Dryer Booster Fan

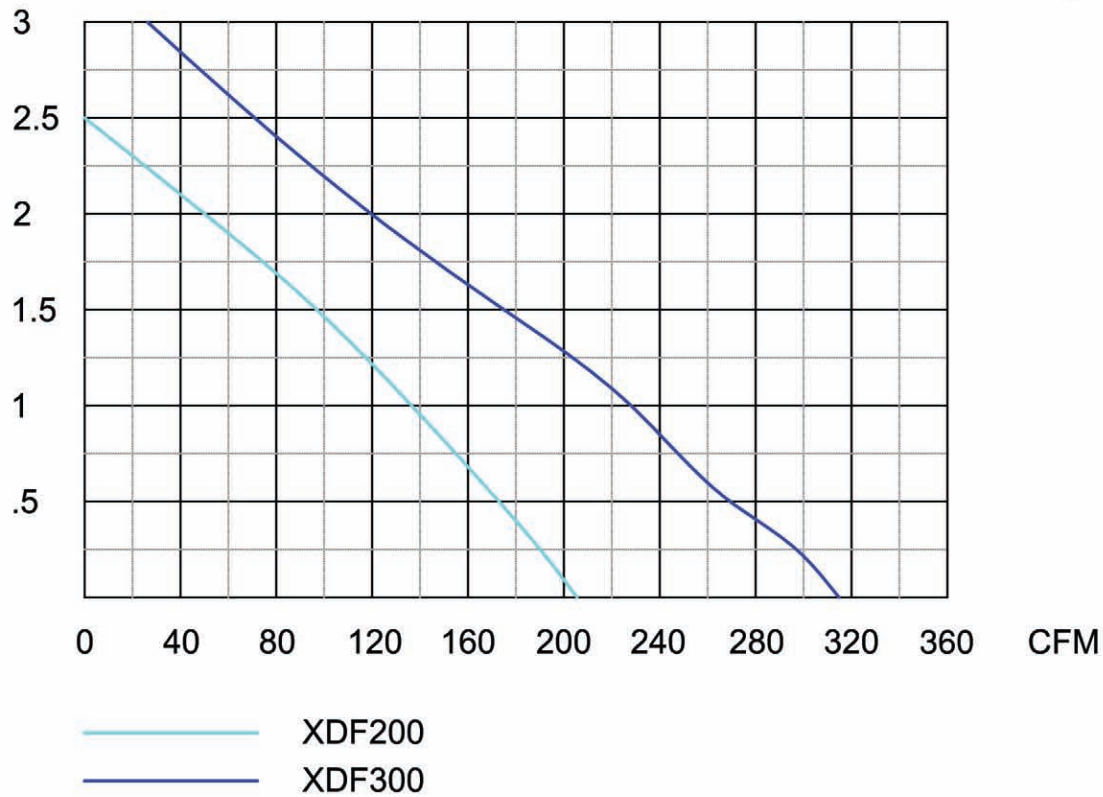
MODEL#: XDF200 & XDF300

SPECIFICATIONS

AREA FOR A FAN CURVE:



Static Pressure (inches of w.g.):



LEXTON FANS, INC.

5681 SOUTH DOWNEY ROAD
VERNON, CA 90058 USA

Phone: 323-284-2188

Toll Free Fax: 1-866-281-8605

www.lextonfans.com

Certifications:

