



SPECIFICATIONS

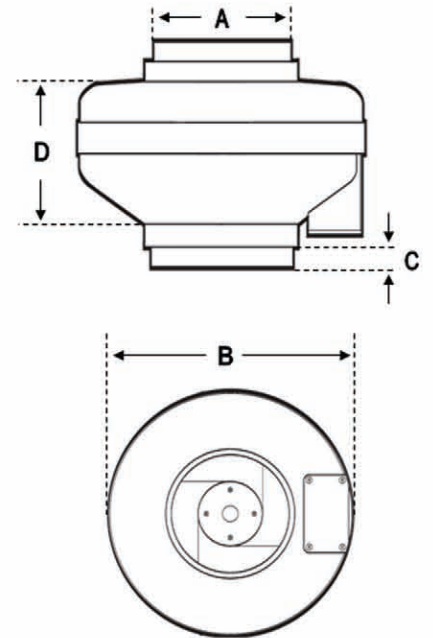
IN Series Inline Duct Fan

MODEL#: IN150, IN200, IN275,
IN325, IN575, IN675 & IN900

7 MODELS

for residential and light commercial application

- * Painted galvanized steel housing
- * 100% speed controllable
- * High static pressure applications
- * Easy installation
- * High performance external rotor, motor/impellar, energy efficient and quiet operation
- * Permanently lubricated ball bearings, maintenance free



Dimensions (inch):

Model	Duct (A)	Overall Diameter (B)	Collar Length (C)	Overall Height (D)
IN150	4"	9.53"	0.79"	7.32"
IN200	5"	9.57"	0.98"	7.44"
IN275	6"	10.67"	0.79"	7.60"
IN325	6.25"	13.58"	1.06"	8.98"
IN575	8"	13.58"	1.06"	8.98"
IN675	10"	13.58"	1.06"	10.20"
IN900	12"	15.75"	1.06"	10.20"

AIR PERFORMANCE (CFM)

Model	Static pressure (inches of wg)																Current (amp)	Power (watt)	RPM (nominal)	Electrical rating	Room size Capacity
	0	0.1"	0.2"	0.25"	0.3"	0.4"	0.5"	0.6"	0.7"	0.8"	0.9"	1.0"	1.2"	1.4"	1.6"	1.8"					
IN150	148	141	133	130	126	118	112	106	100	93	86	80	66	50	33	14	0.25	65	2485	120V/60Hz	100 - 150 sq. ft.
IN200	218	204	190	185	175	165	155	146	138	125	111	100	85	61	40	17	0.27	70	2550	120V/60Hz	150 - 200 sq. ft.
IN275	255	248	230	222	213	195	180	164	150	140	128	115	90	65	40	10	0.31	75	2400	120V/60Hz	200 - 280 sq. ft.
	0	0.1"	0.2"	0.25"	0.3"	0.4"	0.5"	0.6"	0.7"	0.8"	0.9"	1.0"	1.5"	2.0"	2.5"	3.0"					
IN325	385	385	337	325	312	280	273	253	235	220	205	192	120	32			0.45	85	2350	120V/60Hz	280 - 400 sq. ft.
IN575	540	510	475	460	440	400	370	340	310	290	270	258	195	135	75	10	0.65	155	2520	120V/60Hz	400 - 580 sq. ft.
IN675	660	630	602	585	570	540	500	470	435	404	375	350	258	180	100	30	0.69	225	2360	120V/60Hz	580 - 680 sq. ft.
IN900	760	725	690	670	645	605	550	500	450	400	361	335	236	155	85	10	0.78	239	2410	120V/60Hz	680 - 800 sq. ft.

MODEL	QUANTITY	COMMENTS	PROJECT
			Location:
			Architect:
			Engineer:
			Contractor:
			Submitted by:



LEXTON FANS, INC.

5681 SOUTH DOWNEY ROAD
VERNON, CA 90058 USA

Phone: 323-284-2188

Toll Free Fax: 1-866-281-8605

www.lextonfans.com

Certifications:



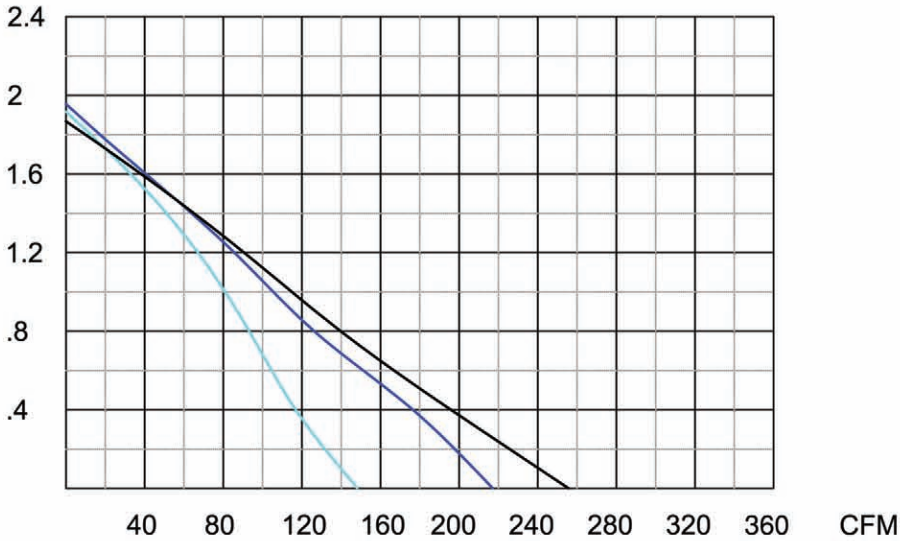
IN Series Inline Duct Fan

MODEL#: IN150, IN200, IN275, IN325,
IN575, IN675, & IN900

AREA FOR A FAN CURVE:

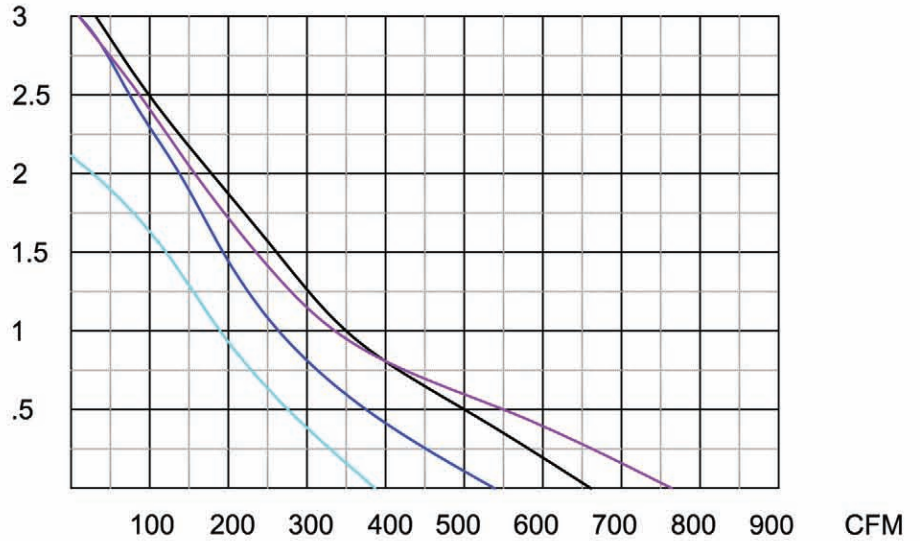


Static Pressure (inches of w.g.):



- IN150
- IN200
- IN275

Static Pressure (inches of w.g.):



- IN325
- IN575
- IN675
- IN900



LEXTON FANS, INC.

5681 SOUTH DOWNEY ROAD
VERNON, CA 90058 USA

Phone: 323-284-2188

Toll Free Fax: 1-866-281-8605

www.lextonfans.com

Certifications:

