

COASTAL Series Non-Metallic Fan

MODEL#: AZ110NM & AZ130NM

DESCRIPTION - Ventilating fan shall be a quiet ceiling mount type rated for continuous run. Fan shall be tested as per AMCA or the Home Ventilating Institute (HVI) standards. Evaluated by ETL and conform to both UL and cUL safety standards.

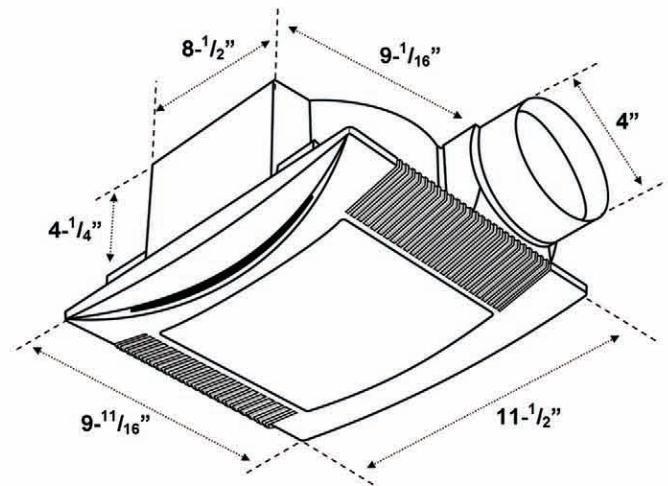


MOTOR/BLOWER

- * Four-pole totally enclosed condenser motor rated for continuous run.
- * Power Rating shall be 120V/60Hz.
- * Fan shall be ETL listed for tub/shower enclosure when used with a GFCI branch circuit wiring.
- * Motor equipped with thermal cut-off fuse.
- * Removable with permanently lubricated plug-in motor.

FAN HOUSING

- * Flame retardant (UL rated 94-5v) - ABS housing.
- * Detachable 4" diameter duct adapter.
- * Built in backdraft damper.
- * Mounts directly to joist using a separate lock-in bracket.
- * Double hangar bar system allowing for ideal positioning.
- * Housing Dimensions: 9-1/16" x 8-1/2" x 4-1/4"



GRILLE

- * Attractive design using ABS material.
- * Attaches directly to housing with torsion springs.
- * Grille Dimensions: 11-1/2" x 9-11/16"

DUCT COLLAR

- * Detachable noiseless 4" diameter backdraft damper.

AIR PERFORMANCE (CFM)

Model	Static Pressure (inches of w.g.)										Air flow (cfm)	Sones @ 0.1	Current (amp)	Power (watt)	RPM (nominal)	Electrical rating	Room size Capacity
	0	0.1"	0.15"	0.2"	0.25"	0.3"	0.35"	0.4"	0.45"	0.5"							
AZ110NM	118	110	118	110	93	85	74	69	64	51	92	3.5	0.415	44	1630	120V/60Hz	105 - 125 sq. ft.
AZ130NM	137	130	140	131	120	105	93	82	71	59	129	4.5	0.476	54	1700	120V/60Hz	125 - 140 sq. ft.

MODEL	QUANTITY	COMMENTS	PROJECT
			Location:
			Architect:
			Engineer:
			Contractor:
			Submitted by:



LEXTON FANS, INC.

5681 SOUTH DOWNEY ROAD
VERNON, CA 90058 USA

Phone: 323-284-2188

Toll Free Fax: 1-866-281-8605

www.lextonfans.com

Certifications:





SPECIFICATIONS

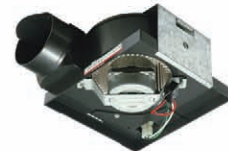
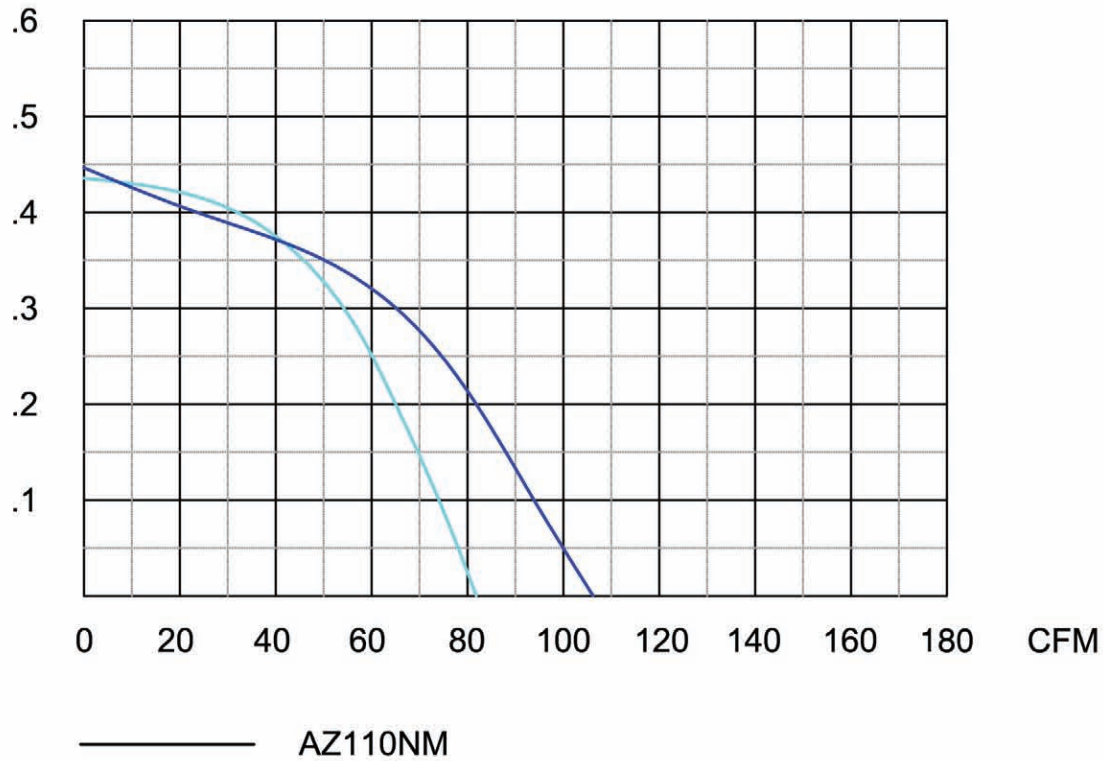
COASTAL Series Non-Metallic Fan

MODEL#: AZ110NM & AZ130NM



AREA FOR A FAN CURVE:

Static Pressure (inches of w.g.):



LEXTON FANS, INC.

5681 SOUTH DOWNEY ROAD
VERNON, CA 90058 USA

Phone: 323-284-2188

Toll Free Fax: 1-866-281-8605

www.lextonfans.com

Certifications:

