



SPECIFICATIONS

SELECT HEATER Series Fan/Light Combo

MODEL#: 765HF & 765HI

LIGHTING

- * Compact Fluorescent: Requires one-13 watt Quad GX23-2 lamp (HF)
- * Incandescent Lamp: Requires A19 incandescent bulbs up to 100 watts (HI)
- * Both models require 4-watt incandescent nightlight.

FAN HOUSING

Housing Dimensions: 14-1/2" x 8" x 6"

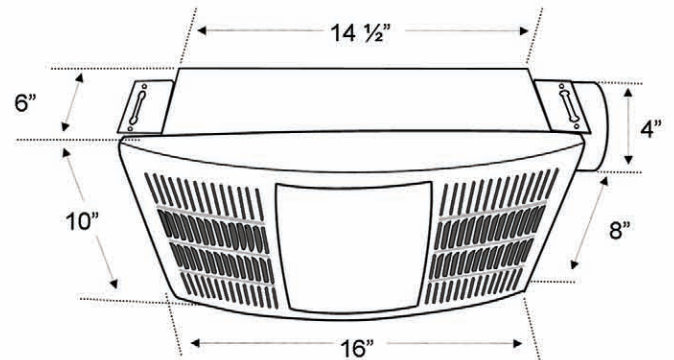
GRILLE

Housing Dimensions: 16" x 10"

TYPICAL SPECIFICATIONS - Ventilating fan shall be of the ceiling mount with no less than 70 CFM and no more than 3.5 sones as per AMCA or the Home Ventilating Institute (HVI) standards at 0.1" static pressure in inches of water gauge. The motor shall be plug in style and permanently lubricated. Power rating shall be 120V/ 60Hz. Duct diameter shall be no less than 4".

HEATER

1250 watt, Plug in permanently lubricated motor



Model	Air flow (cfm)	Sones @ 0.1	RPM (nominal)	Room size Capacity	Electrical Rating
765HF	70	3.2	1100	70-100 sq. ft.	120V/60Hz
765HI	70	3.2	1100	70-100 sq. ft.	120V/60Hz



MODEL	QUANTITY	COMMENTS	PROJECT
			Location:
			Architect:
			Engineer:
			Contractor:
			Submitted by:



LEXTON FANS, INC.

5681 SOUTH DOWNEY ROAD
VERNON, CA 90058 USA

Phone: 323-284-2188

Toll Free Fax: 1-866-281-8605

www.lextonfans.com

Certifications:

