

FIRE RADIATION DAMPER

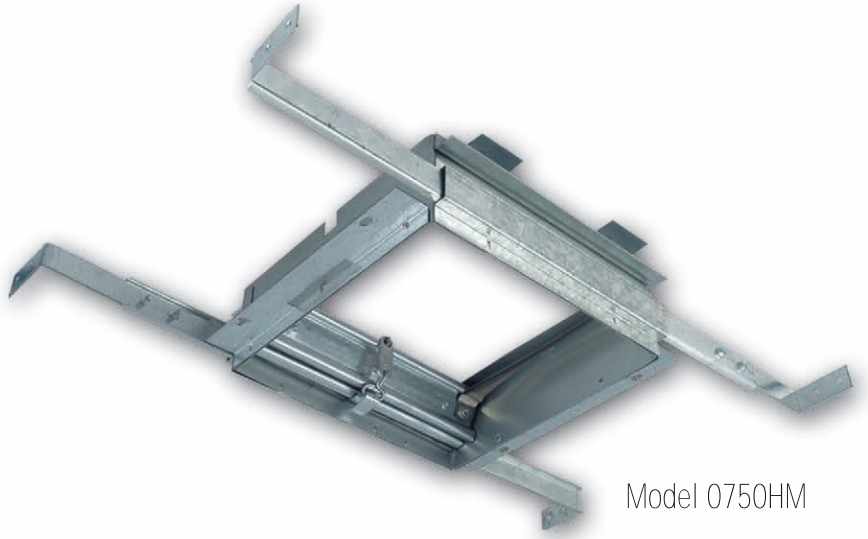
MODEL#: 0750HM

FIRE CODE:

Designed to automatically seal off fan and duct from the rest of the dwelling once the temperature of the air exceeds that of the fusible link.

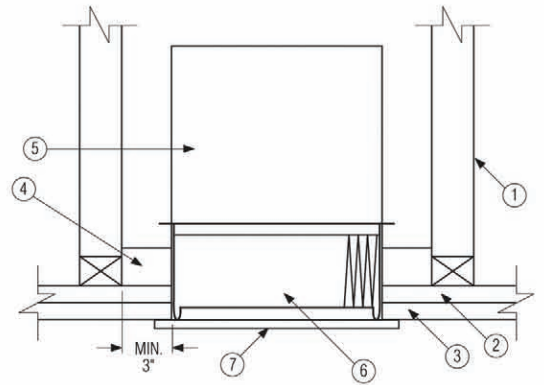
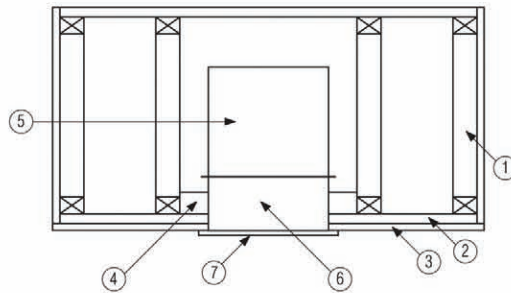
UL approved for PA500V, PA700V, PA900V, PA1100V, VIP70, VIP90 and VIP110 for ceiling/floor and ceiling/roof wood truss construction.

Classified by UL to function as a heat barrier, when installed as shown, in UL floor/ceiling design #'s L550, L562, L574, L579 and roof/ceiling design #'s P531, P538 and P545.



Model 0750HM

- 1) Wood truss
- 2) Resiliant Channel
- 3) Gypsum Wallboard
- 4) Support Channel
- 5) Airzone Fan
- 6) 0.750HM Radiation Damper
- 7) Grille



DETAIL



MODEL	QUANTITY	COMMENTS	PROJECT
			Location:
			Architect:
			Engineer:
			Contractor:
			Submitted by:



LEXTON FANS, INC.

5681 SOUTH DOWNEY ROAD
VERNON, CA 90058 USA

Phone: 323-284-2188

Toll Free Fax: 1-866-281-8605

www.lextonfans.com

Certifications:

