



# SPECIFICATIONS

## DAYLIGHT Series Fan/Light Combo

MODEL#: DLF50, DLF70, DLF90 & DLF110

**DESCRIPTION** - Ventilating fan shall be a quiet ceiling mount type rated for continuous run. Fan shall be tested as per AMCA or the Home Ventilating Institute (HVI) standards. Evaluated by ETL and conform to both UL and cUL safety standards. Rated Type IC for ceilings insulated to R-40.

### MOTOR/BLOWER

- \* Removable, single coil plug-in, two pole, life time lubricated motor.
- \* Power Rating shall be 120V/60Hz, 1.4 amps, thermally protected.
- \* Acceptable for use over tub/shower when installed with a GFCI branch circuit.

### LIGHTING

- \* Gentle 4W nightlight illumination.
- \* Use One-13W, Quad GX23-3 Base Fluorescent lamp.

### FAN HOUSING

- \* Galvanized steel body with mounting tabs and two brackets for direct installation to the joist.
- \* Detachable 4" diameter duct adapter with built-in backdraft damper.
- \* Housing Dimensions: 7-3/8" x 7-3/8" x 5-7/8"

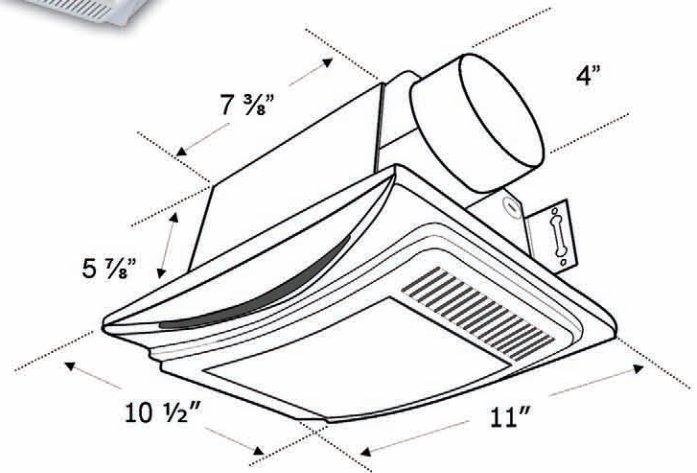
### GRILLE

- \* Attractive white polymeric grill secured by screw through the light housing.
- \* Grille Dimensions: 11" x 10 1/2"

**WARRANTY** - The factory warranty shall be a minimum of 1 year limited warranty on parts

### AIR PERFORMANCE (CFM)

Model	Air Flow (CFM)	Sones @ 0.1	Current (Amp)	Power watt	Electrical Rating	Room size Capacity
<b>DLI 50</b>	50	2.5	0.93	102.3	120V/60Hz	55 - 60 sq. ft.
<b>DLI 70</b>	70	3.5	1.23	153.3	120V/60Hz	75 - 80 sq. ft.
<b>DLI 90</b>	90	4.5	1.73	190.3	120V/60Hz	100 - 110 sq. ft.
<b>DLI 110</b>	110	5.0	1.93	212.3	120V/60Hz	120 - 125 sq. ft.



Duct	Grille Size	Mount Opening	Housing Dimensions
4"	11" x 10-1/2"	11" x 10-1/2" x 5-7/8"	11" x 10-1/2" x 5-7/8"

MODEL	QUANTITY	COMMENTS	PROJECT
			Location:
			Architect:
			Engineer:
			Contractor:
			Submitted by:



**LEXTON FANS, INC.**

5681 SOUTH DOWNEY ROAD  
VERNON, CA 90058 USA

Phone: 323-284-2188

Toll Free Fax: 1-866-281-8605

[www.lextonfans.com](http://www.lextonfans.com)

Certifications:

