

## EZ DELUXE Series Exhaust Fan

MODEL#: EZ90, EZ110 & EZ120

DESCRIPTION - Economy Ventilating Fan; Ceiling or Wall Mount  
Air & Sound performance certified by HVI. Evaluated by ETL and conforms to UL safety standards.

### MOTOR/BLOWER

- \* Removable Motor
- \* Permanently Lubricated
- \* Four-Pole Capacitor Type
- \* Totally Enclosed
- \* Equipped With Thermal Cut Off
- \* Rated for Continuous Run

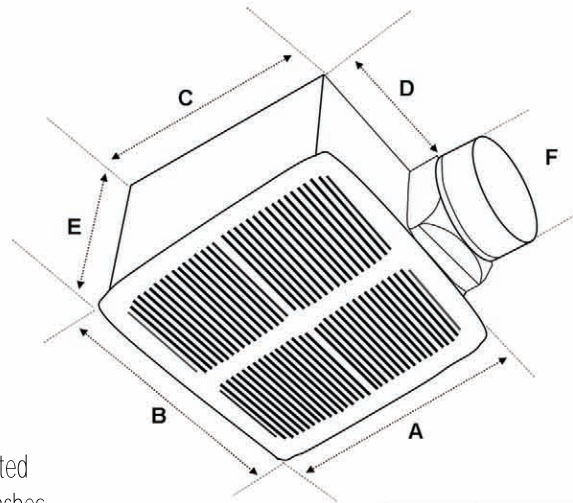
### FAN HOUSING

- \* Galvanized steel.
- \* Detachable 4" diameter duct adapter.
- \* Built in detachable backdraft damper.
- \* Mounts directly to joist using brackets.
- \* Housing Dimensions: (refer to chart)

### GRILLE

- \* Attractive design using white ABS material.
- \* Attaches directly to housing with torsion springs.
- \* Grille Dimensions: (refer to chart)

TYPICAL SPECIFICATIONS - Ventilating fan shall be of the ceiling or wall mount with air performance and sound rating listed as per the chart below certified by HVI at 0.1" static pressure inches of water gauge; The motor shall be totally enclosed, four pole capacitor type engineered to run continuously; Power rating shall be 120V/ 60Hz. Duct diameter shall be no less than 4"; Fan shall be for tub/shower enclosure when used with GFCI branch circuit wiring.



MODEL	GRILLE		UNIT	
	(A) & (B) Length (sq. inch)	(C) & (D) Length (sq. inch)	(E) Height	(F) Duct (Diameter)
<b>EZ90</b>				
<b>EZ110</b>	10-1/2"	8-1/2"	5-3/4"	4"
<b>EZ120</b>				

### AIR PERFORMANCE (CFM)

Model	Static pressure (inches of wg)										Air flow (cfm)	Sones @ 0.1	Current (amp)	Power (watt)	RPM (nominal)	Electrical rating	Room size Capacity
	0	0.1"	0.15"	0.2"	0.25"	0.3"	0.35"	0.4"	0.45"	0.5"							
<b>EZ90</b>	100	90	87	82	78	72	64	45	22	0	50	0.3	0.127	13	975	120V/60Hz	45 - 60
<b>EZ110</b>	127	115	108	108	103	96	84	63	48	22	70	0.4	0.159	20	1050	120V/60Hz	60 - 80
<b>EZ120</b>	133	123	118	113	108	103	97	90	75	48	90	0.7	0.16	27	1110	120V/60Hz	80 - 100

MODEL	QUANTITY	COMMENTS	PROJECT
			Location:
			Architect:
			Engineer:
			Contractor:
			Submitted by:



**LEXTON FANS, INC.**

5681 SOUTH DOWNEY ROAD  
VERNON, CA 90058 USA

Phone: 323-284-2188

Toll Free Fax: 1-866-281-8605

[www.lextonfans.com](http://www.lextonfans.com)

Certifications:





# EZ DELUXE Series Exhaust Fan

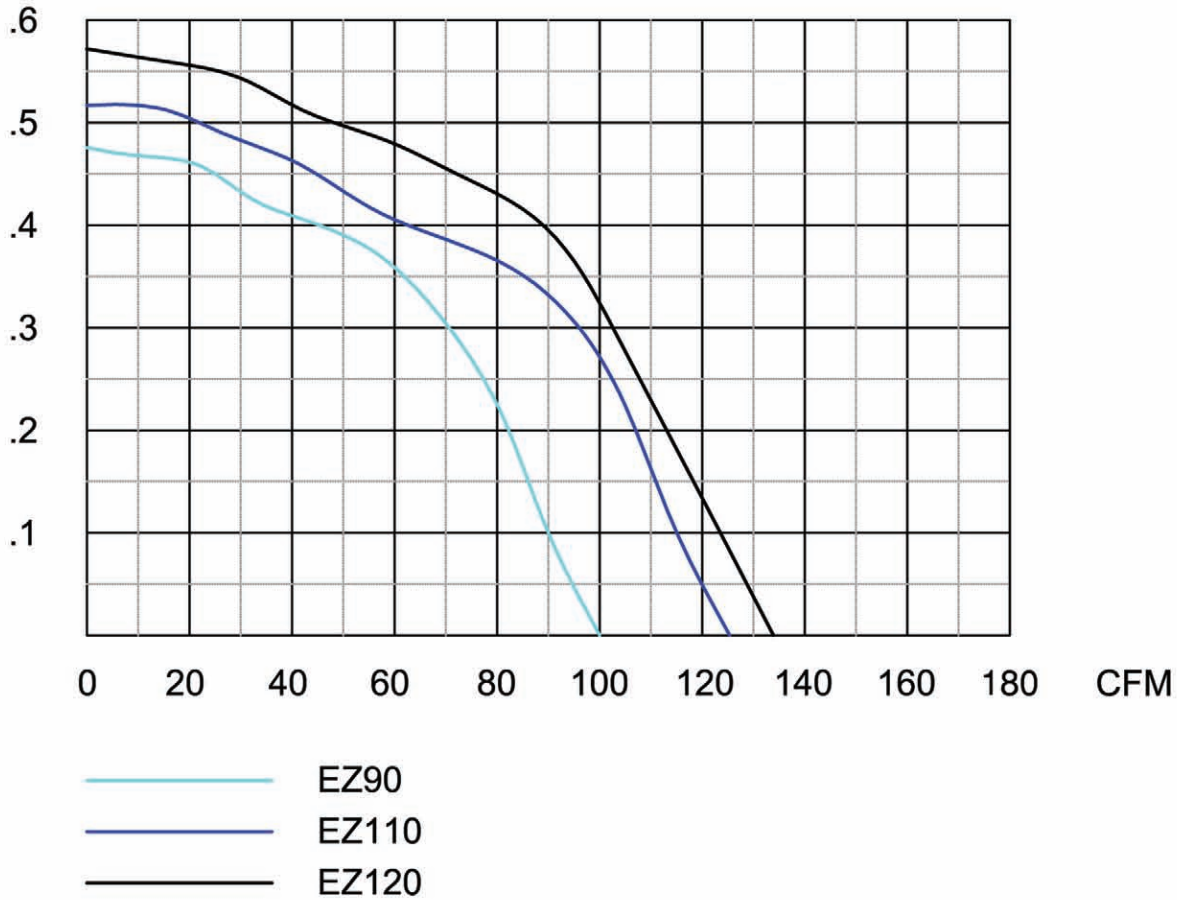
MODEL#: EZ90, EZ110& EZ120

AREA FOR A FAN CURVE:

# SPECIFICATIONS



**Static Pressure** (inches of w.g.):



**LEXTON FANS, INC.**  
5681 SOUTH DOWNEY ROAD  
VERNON, CA 90058 USA  
Phone: 323-284-2188  
Toll Free Fax: 1-866-281-8605

[www.lextonfans.com](http://www.lextonfans.com)

Certifications:

