



SPECIFICATIONS

SLIM-LINE Series Exhaust Fan

MODEL#: SQ500, SQ700, SQ900 & SQ1100

DESCRIPTION - Square model, low profile very quiet ventilators that can be installed within a 6" joist. Performance as noted in the table below.

MOTOR/BLOWER

- * 4 pole plug in motor, life time lubrication, rated for continuous use.
- * 120V/60hz.

FAN HOUSING

- * Painted galvanized steel housing.
- * Housing Dimensions: 12" x 12" x 5"

GRILLE

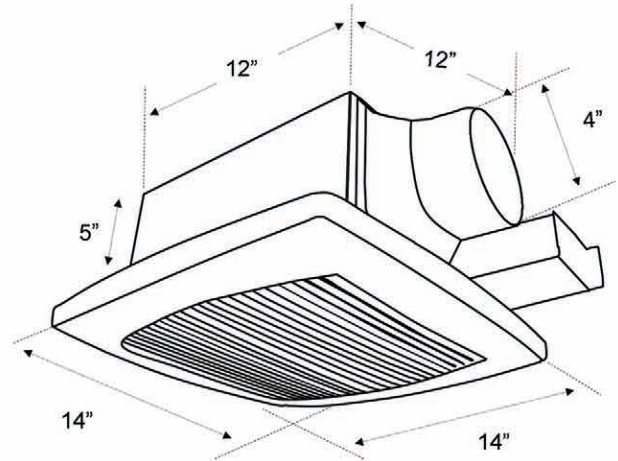
- * White polymeric grille complete with torsion clips for secure hold.
- * Grille Dimensions: 14" x 14"

DUCT COLLAR

- * 4" duct collar, weighted noiseless weighted backdraft damper.
- * Painted galvanized steel.

MOUNTING

- * Rated for installation in ceilings up to R40.
- * Double hanger bar system for ideal positioning.
- * Expandable extension bracket up to 24"
- * Drywall rough in opening is 12.5" in diameter.
- * Acceptable for use over tub or shower when installed with a GFCI protected circuit.



AIR PERFORMANCE (CFM)

Model	Static pressure (inches of wg)									Air flow (cfm)	Sones @ 0.1	Current (amp)	Power (watt)	RPM (nominal)	Electrical rating	Room size Capacity
	0	0.1"	0.2"	0.25"	0.3"	0.35"	0.4"	0.5"	0.6"							
SQ500	65	52	45	31						50	0.5	0.127	25	960	120V/60Hz	45 - 60
SQ700	90	72	64	52	41					70	0.7	0.159	28	1040	120V/60Hz	60 - 80
SQ900	108	93	84	71	66	52	35			90	0.9	0.16	37	1120	120V/60Hz	80 - 100
SQ1100	125	112	103	98	92	72	72	54	32	110	1.5	0.252	40	1270	120V/60Hz	100 - 120

MODEL	QUANTITY	COMMENTS	PROJECT
			Location:
			Architect:
			Engineer:
			Contractor:
			Submitted by:



LEXTON FANS, INC.

5681 SOUTH DOWNEY ROAD
VERNON, CA 90058 USA

Phone: 323-284-2188

Toll Free Fax: 1-866-281-8605

www.lextonfans.com

Certifications:





SLIM-LINE Series Exhaust Fan

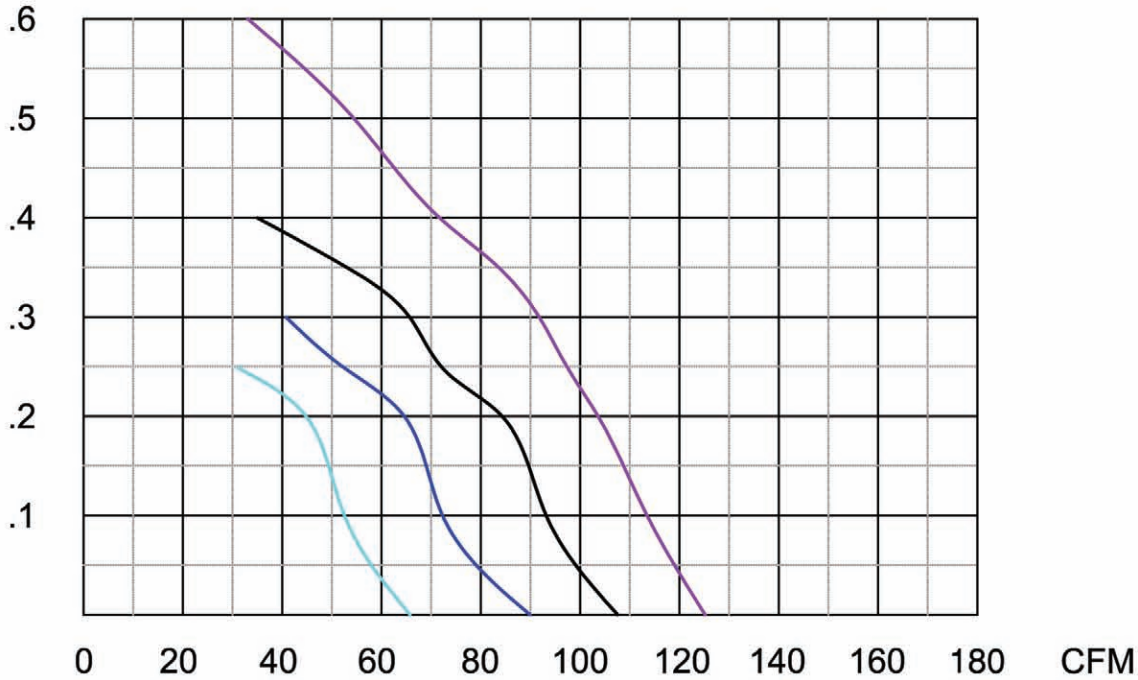
MODEL#: SQ500, SQ700, SQ900 & SQ1100

SPECIFICATIONS

AREA FOR A FAN CURVE:



Static Pressure (inches of w.g.):



- SQ500
- SQ700
- SQ900
- SQ1100



LEXTON FANS, INC.
 5681 SOUTH DOWNEY ROAD
 VERNON, CA 90058 USA
 Phone: 323-284-2188
 Toll Free Fax: 1-866-281-8605

www.lextonfans.com

Certifications:

