



SPECIFICATIONS

PREMIUM QUIET Series Ventilation Fan/Light

MODEL#: PA500VL, PA700VL, PA900VL & PA1100VL

DESCRIPTION - Very quiet ventilation fan with compact fluorescent lighting with performance as noted in the table below.

BODY - This is made from painted heavy gauge sheet metal for protection against rusting.

MOTOR - 4 pole plug in motor, life time lubrication, rated for continuous use. 120V/ 60Hz.

FAN HOUSING

- * Painted galvanized steel housing.
- * Housing Dimensions: 9 1/16" x 9 1/16" x 7-3/4"

GRILLE & LIGHTING

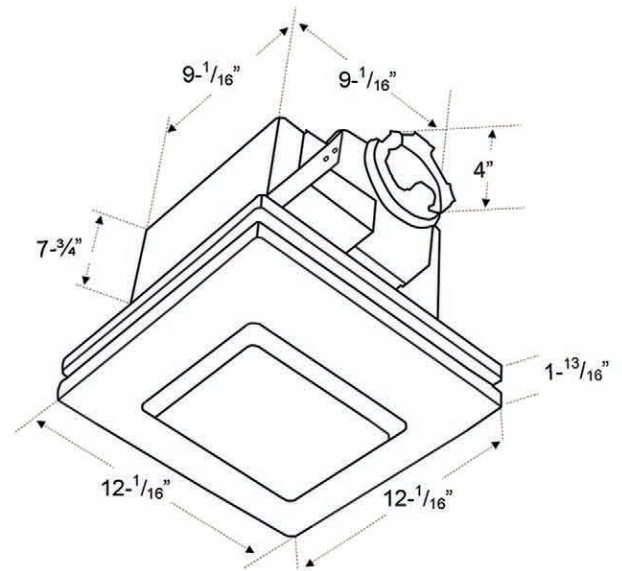
- * White polymeric grille with plastic lens complete with torsion clips for secure hold.
- * Requires 2 x 13 watt Quad Gx23-2 Base Lamps (not included).
- * Grille Dimensions: 12-1/16" x 12-1/16"

DUCT COLLAR

- * Select either 4" or 5" duct collar, weighted noiseless backdraft damper.
- * Painted galvanized steel.

MOUNTING

- * Rated for installation in ceilings up to R40.
- * Double hanger bar system for ideal positioning.
- * Expandable extension bracket up to 24".
- * Drywall Rough in opening is 9-1/16" x 9-1/16".
- * Acceptable for use over tub or shower when installed with a GFCI protected circuit.



AIR PERFORMANCE (CFM)

Model	Static pressure (inches of wg)										Air flow (cfm)	Sones @ 0.1	Current (amp)	Power (watt)	RPM (nominal)	Electrical rating	Room size Capacity
	0	0.1"	0.15"	0.2"	0.25"	0.3"	0.35"	0.4"	0.45"	0.5"							
PA500VL	76	58	48	34	15	2					50	0.3	0.127	13	975	120V/60Hz	45 - 60
PA700VL*	90	77	70	62	53	44	24	6			70	0.4	0.159	20	1050	120V/60Hz	60 - 80
PA900VL*	108	98	92	86	82	73	67	56	37	7	90	0.7	0.16	27	1110	120V/60Hz	80 - 100
PA1100VL*	120	110	105	98	92	87	80	63	40	7	110	1.3	0.252	35	1375	120V/60Hz	100 - 120

MODEL	QUANTITY	COMMENTS	PROJECT
			Location:
			Architect:
			Engineer:
			Contractor:
			Submitted by:



LEXTON FANS, INC.

5681 SOUTH DOWNEY ROAD
VERNON, CA 90058 USA

Phone: 323-284-2188

Toll Free Fax: 1-866-281-8605

www.lextonfans.com

Certifications:





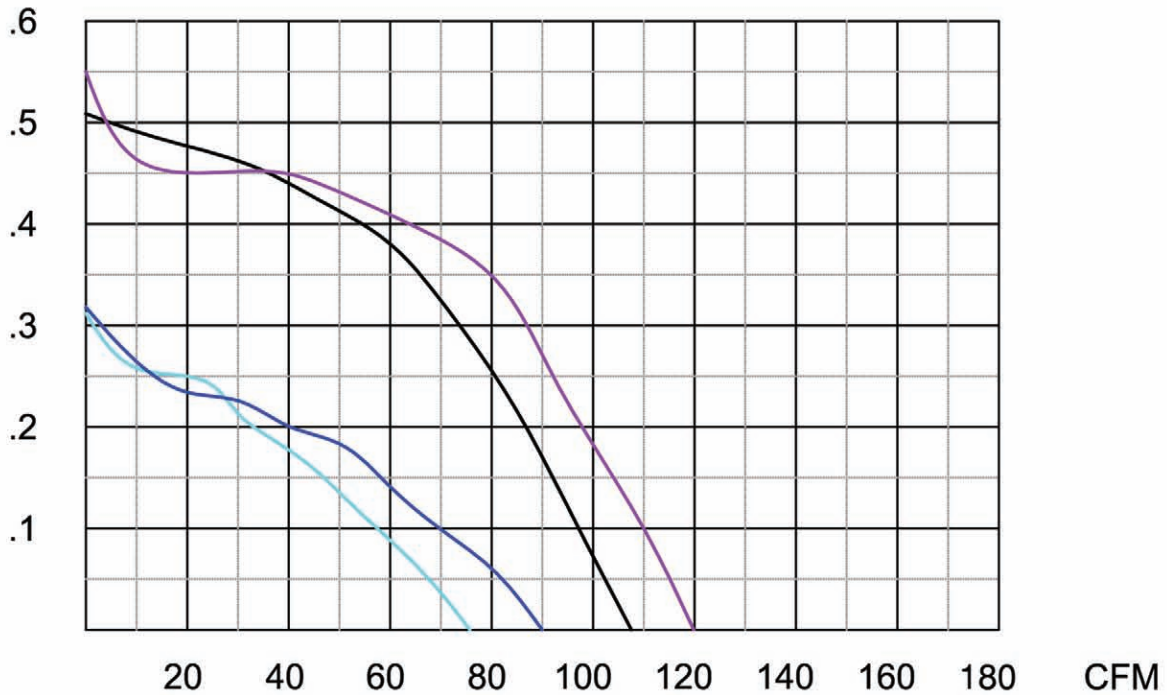
SPECIFICATIONS

PREMIUM QUIET Series Ventilation Fan/Light
 MODEL#: PA500VL, PA700VL, PA900VL & PA1100VL



AREA FOR A FAN CURVE:

Static Pressure (inches of w.g.):



- PA500VL
- PA700VL
- PA900VL
- PA1100VL



LEXTON FANS, INC.
 5681 SOUTH DOWNEY ROAD
 VERNON, CA 90058 USA
 Phone: 323-284-2188
 Toll Free Fax: 1-866-281-8605

www.lextonfans.com

Certifications:

